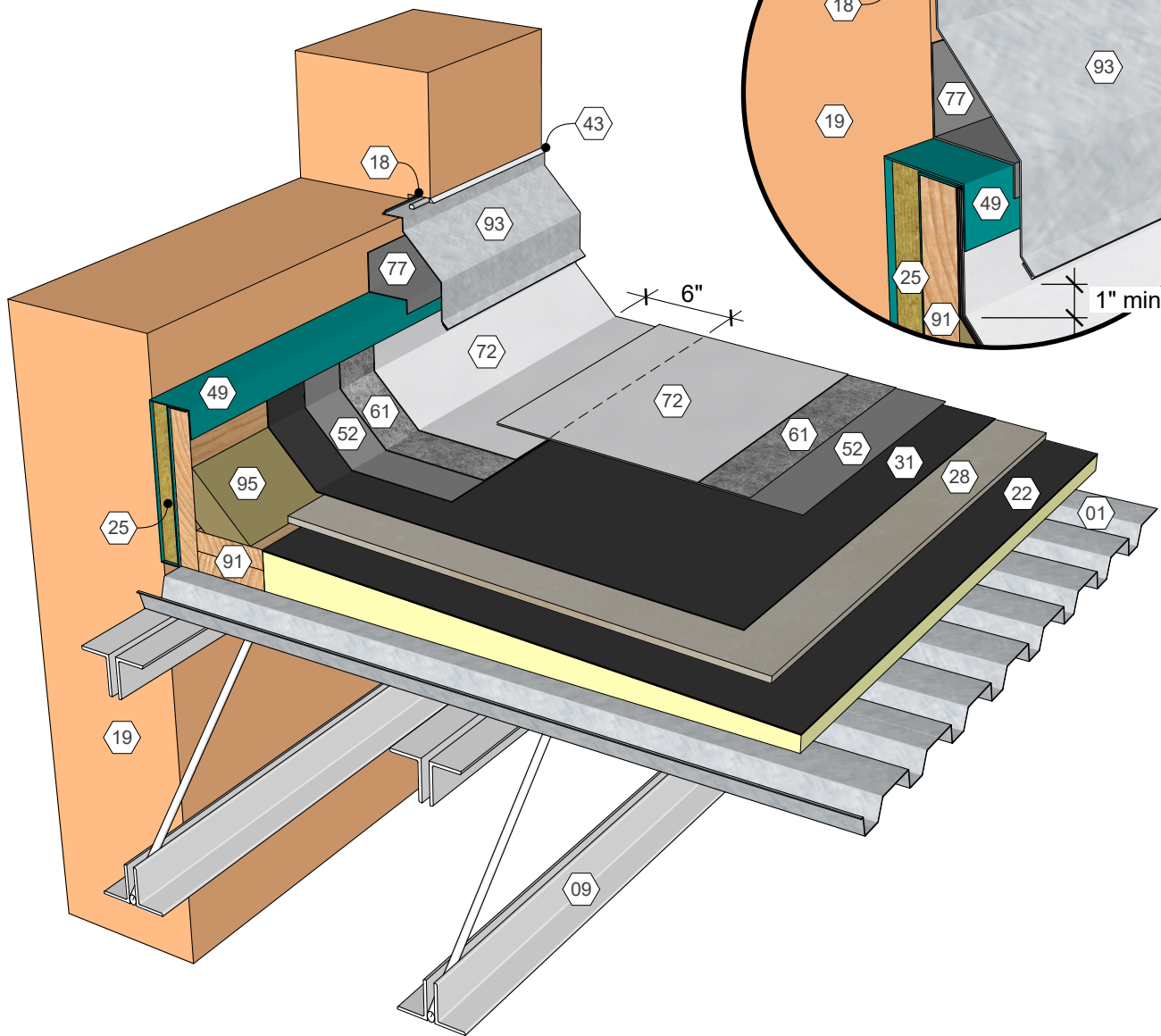


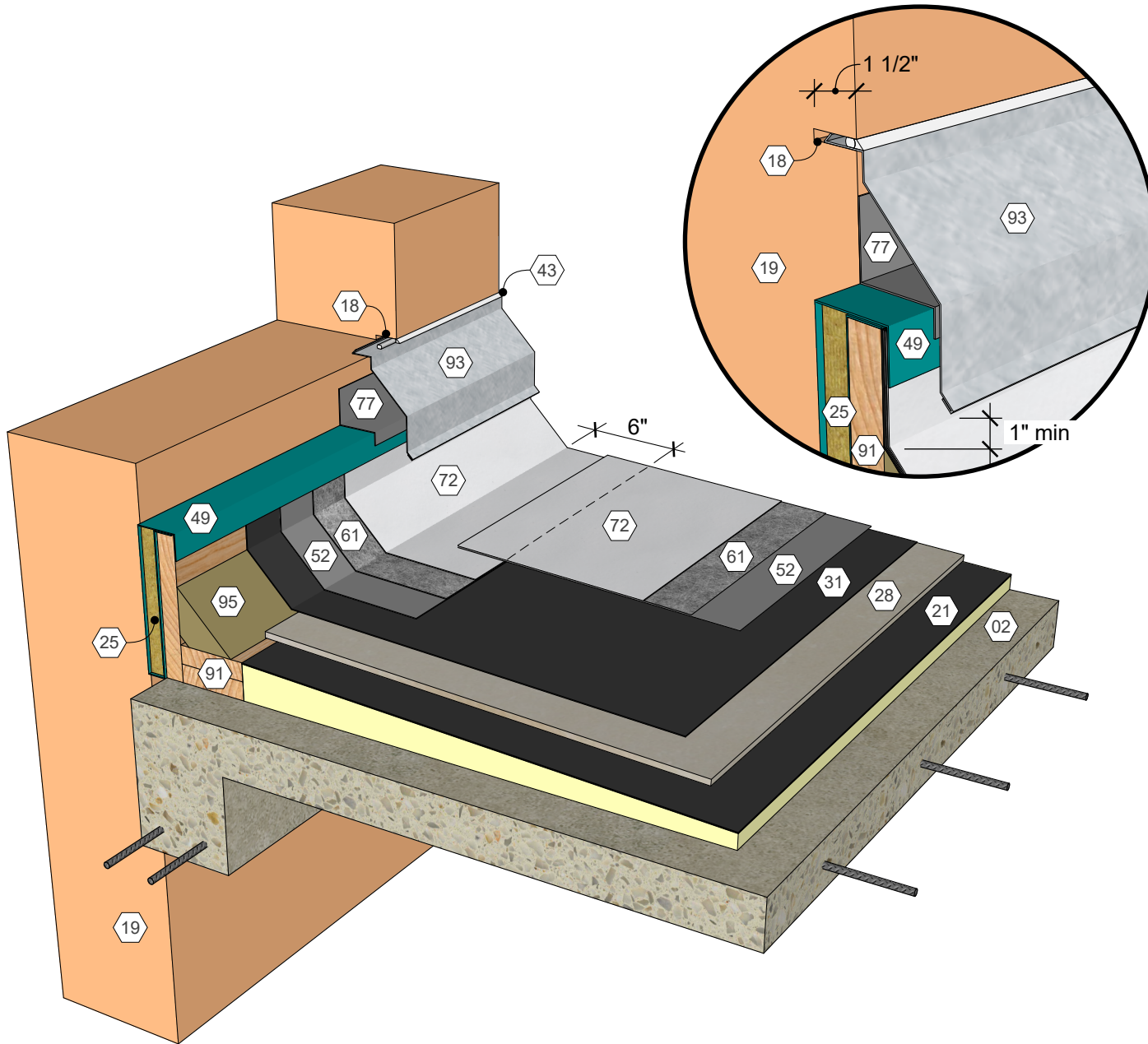
KEY NOTES

- 01 Metal Deck
- 09 Roof Structure
- 18 Reglet
- 19 Wall Assembly
- 22 Polyisocyanurate Insulation (Fastened or Adhered)
- 25 Compressible Insulation
- 28 Cover Board (Adhered)
- 31 Approved Base Ply Sheet
- 43 Sealant and Backer Rod
- 49 Flexible Vapor Retarder Serving as Insulation Retainer
- 52 AlphaGuard BIO Base Coat
- 61 AlphaGuard Glass Mat or Permafab
- 72 AlphaGuard BIO Top Coat
- 77 Membrane Sheet Closure Secured and Adhered to Wall
- 91 Wood Blocking
- 93 Counterflashing
- 95 Cant Strip



AlphaGuard® BIO Plus Parapet Wall, Non-Supported Detail, Metal Deck
Detail 23061

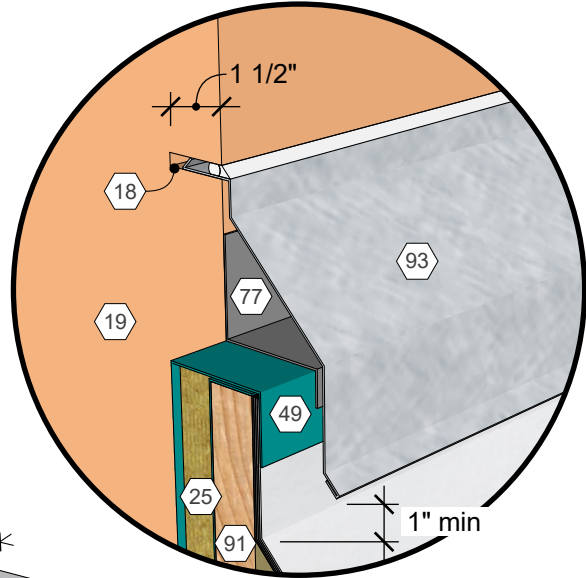




KEY NOTES

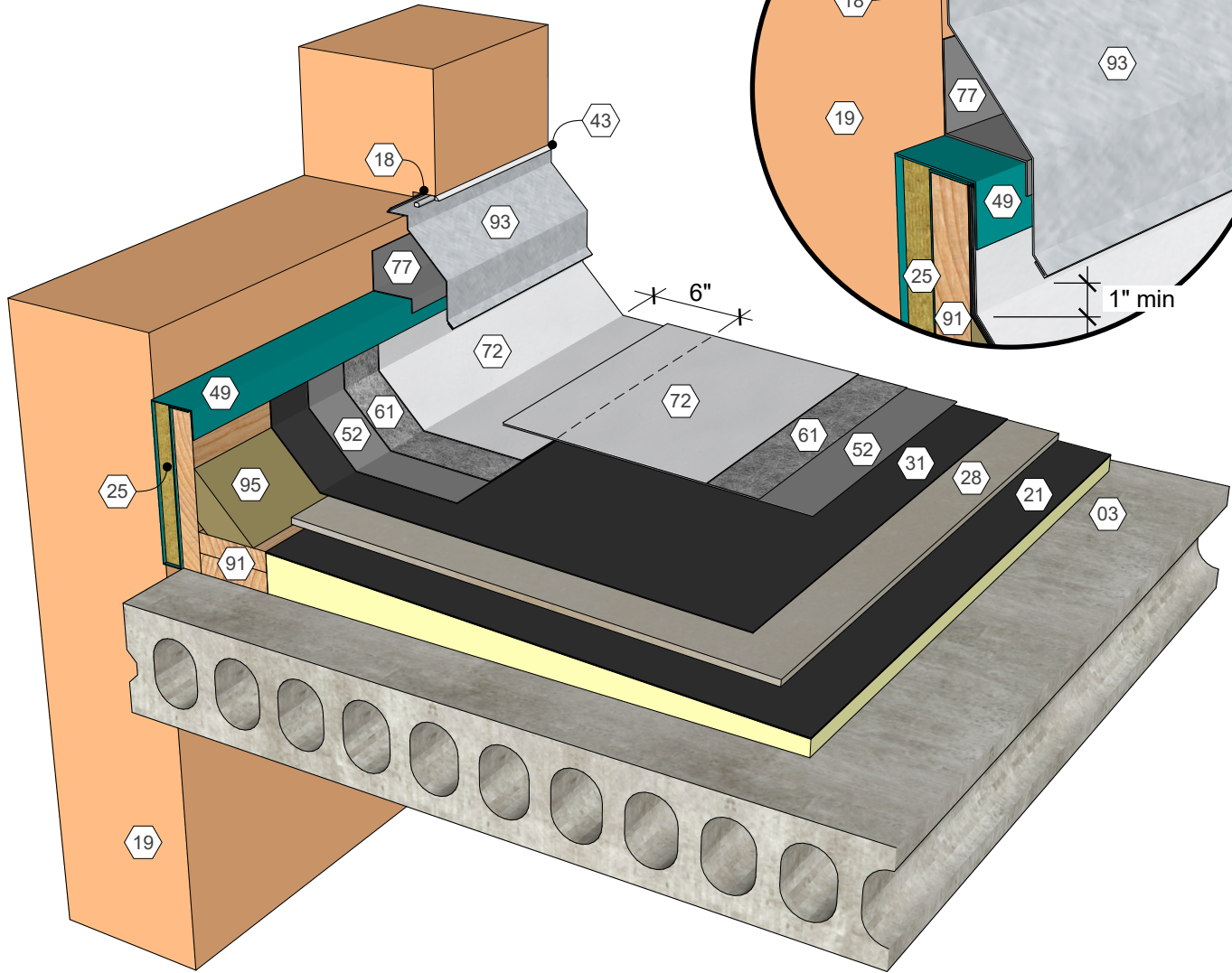
- 02 Structural Concrete Deck
- 18 Reglet
- 19 Wall Assembly
- 21 Polyisocyanurate Insulation (Adhered)
- 25 Compressible Insulation
- 28 Cover Board (Adhered)
- 31 Approved Base Ply Sheet
- 43 Sealant and Backer Rod
- 49 Flexible Vapor Retarder Serving as Insulation Retainer
- 52 AlphaGuard BIO Base Coat
- 61 AlphaGuard Glass Mat or Permafab
- 72 AlphaGuard BIO Top Coat
- 77 Membrane Sheet Closure Secured and Adhered to Wall
- 91 Wood Blocking
- 93 Counterflashing
- 95 Cant Strip

AlphaGuard® BIO Plus Parapet Wall, Non-Supported Detail, Structural Concrete Deck
 Detail 23062

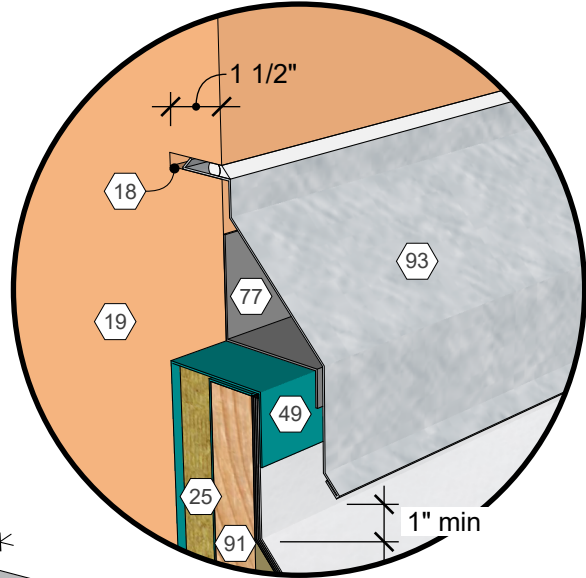


KEY NOTES

- 03 Precast Concrete Deck
- 18 Reglet
- 19 Wall Assembly
- 21 Polyisocyanurate Insulation (Adhered)
- 25 Compressible Insulation
- 28 Cover Board (Adhered)
- 31 Approved Base Ply Sheet
- 43 Sealant and Backer Rod
- 49 Flexible Vapor Retarder Serving as Insulation Retainer
- 52 AlphaGuard BIO Base Coat
- 61 AlphaGuard Glass Mat or Permafab
- 72 AlphaGuard BIO Top Coat
- 77 Membrane Sheet Closure Secured and Adhered to Wall
- 91 Wood Blocking
- 93 Counterflashing
- 95 Cant Strip

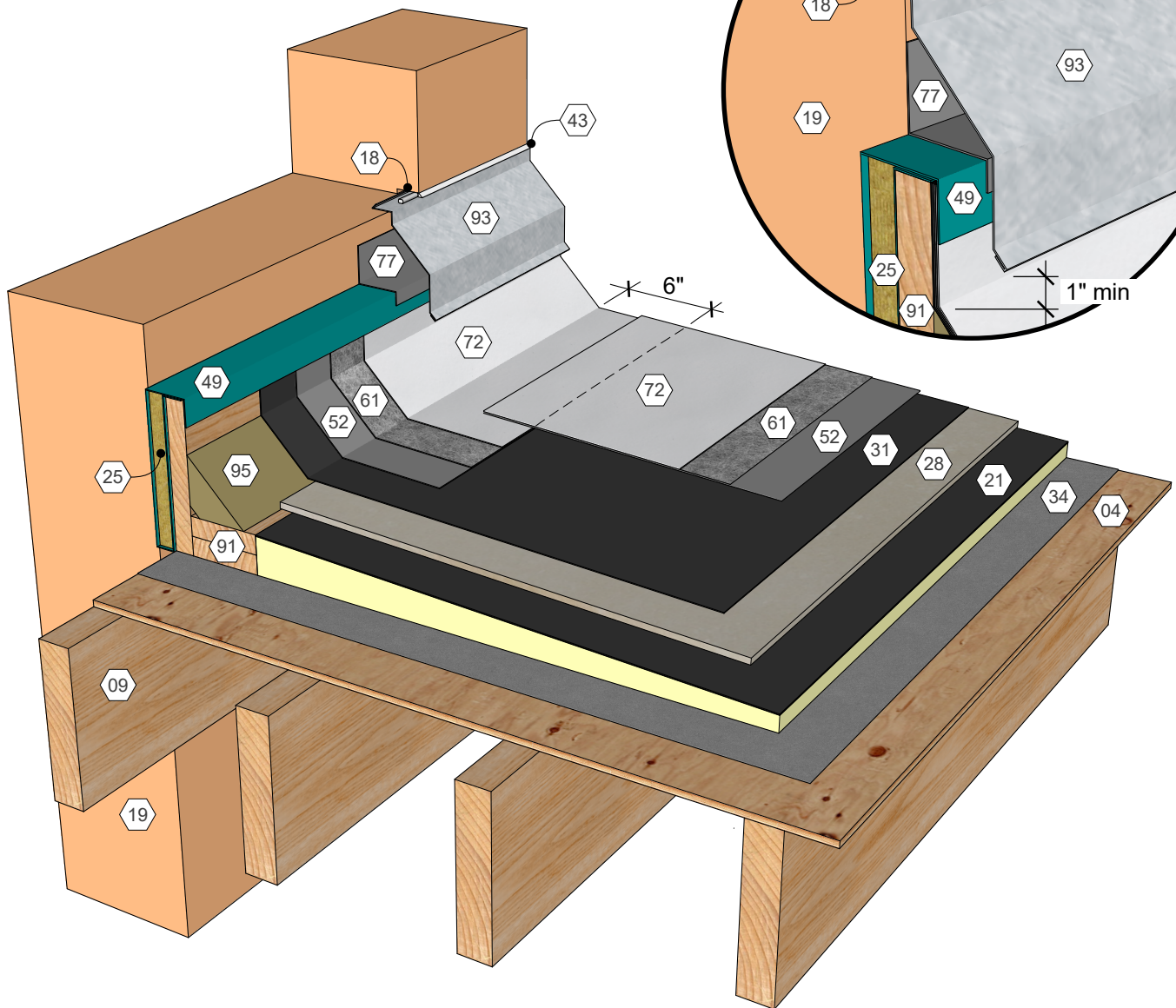


AlphaGuard® BIO Plus Parapet Wall, Non-Supported Detail, Precast Concrete Deck
Detail 23063



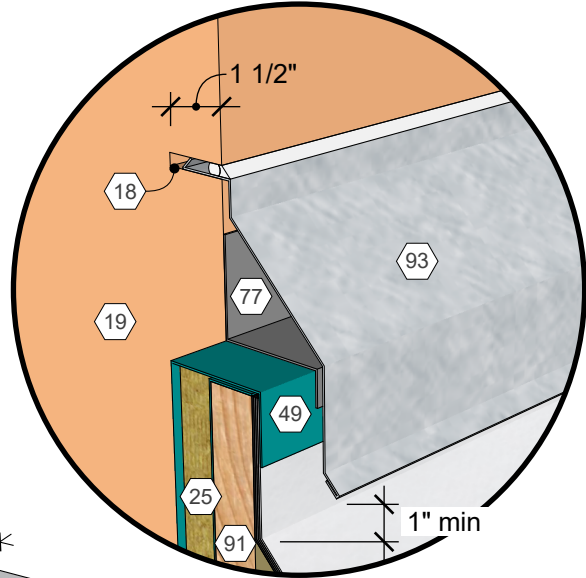
KEY NOTES

- ④ Wood Deck
- ⑨ Roof Structure
- ⑱ Reglet
- ⑲ Wall Assembly
- ⑳ Polyisocyanurate Insulation (Adhered)
- ㉕ Compressible Insulation
- ㉘ Cover Board (Adhered)
- ㉛ Approved Base Ply Sheet
- ㉜ Base Sheet (Fastened)
- ㉞ Sealant and Backer Rod
- ㉟ Flexible Vapor Retarder Serving as Insulation Retainer
- ㊱ AlphaGuard BIO Base Coat
- ㊲ AlphaGuard Glass Mat or Permafab
- ㊳ AlphaGuard BIO Top Coat
- ㊴ Membrane Sheet Closure Secured and Adhered to Wall
- ㊵ Wood Blocking
- ㊶ Counterflashing
- ㊷ Cant Strip



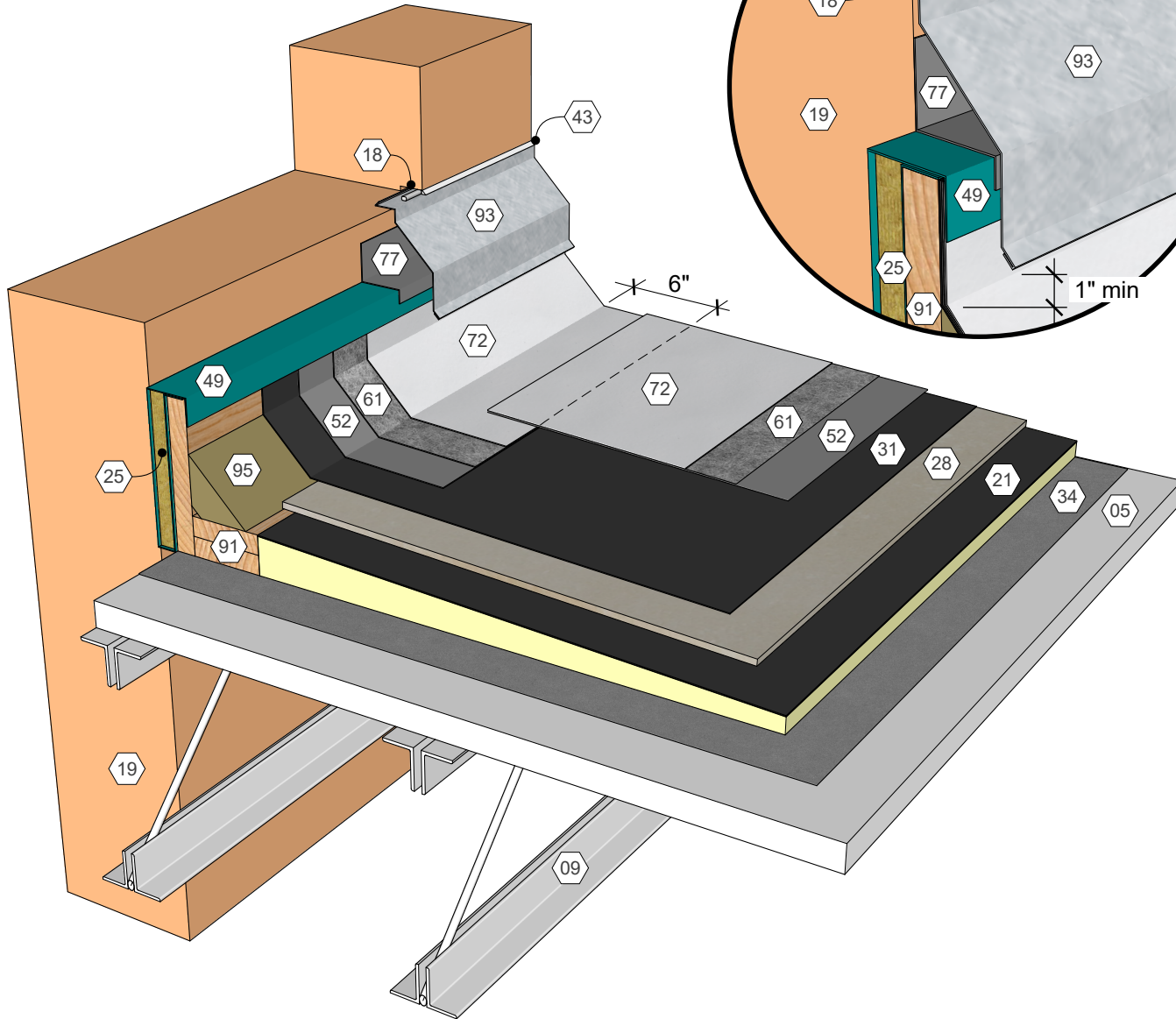
AlphaGuard® BIO Plus Parapet Wall, Non-Supported Detail, Wood Deck
Detail 23064





KEY NOTES

- 05 Gypsum Deck
- 09 Roof Structure
- 18 Reglet
- 19 Wall Assembly
- 21 Polyisocyanurate Insulation (Adhered)
- 25 Compressible Insulation
- 28 Cover Board (Adhered)
- 31 Approved Base Ply Sheet
- 34 Base Sheet (Fastened)
- 43 Sealant and Backer Rod
- 49 Flexible Vapor Retarder Serving as Insulation Retainer
- 52 AlphaGuard BIO Base Coat
- 61 AlphaGuard Glass Mat or Permafab
- 72 AlphaGuard BIO Top Coat
- 77 Membrane Sheet Closure Secured and Adhered to Wall
- 91 Wood Blocking
- 93 Counterflashing
- 95 Cant Strip



AlphaGuard® BIO Plus Parapet Wall, Non-Supported Detail, Gypsum Deck
Detail 23065